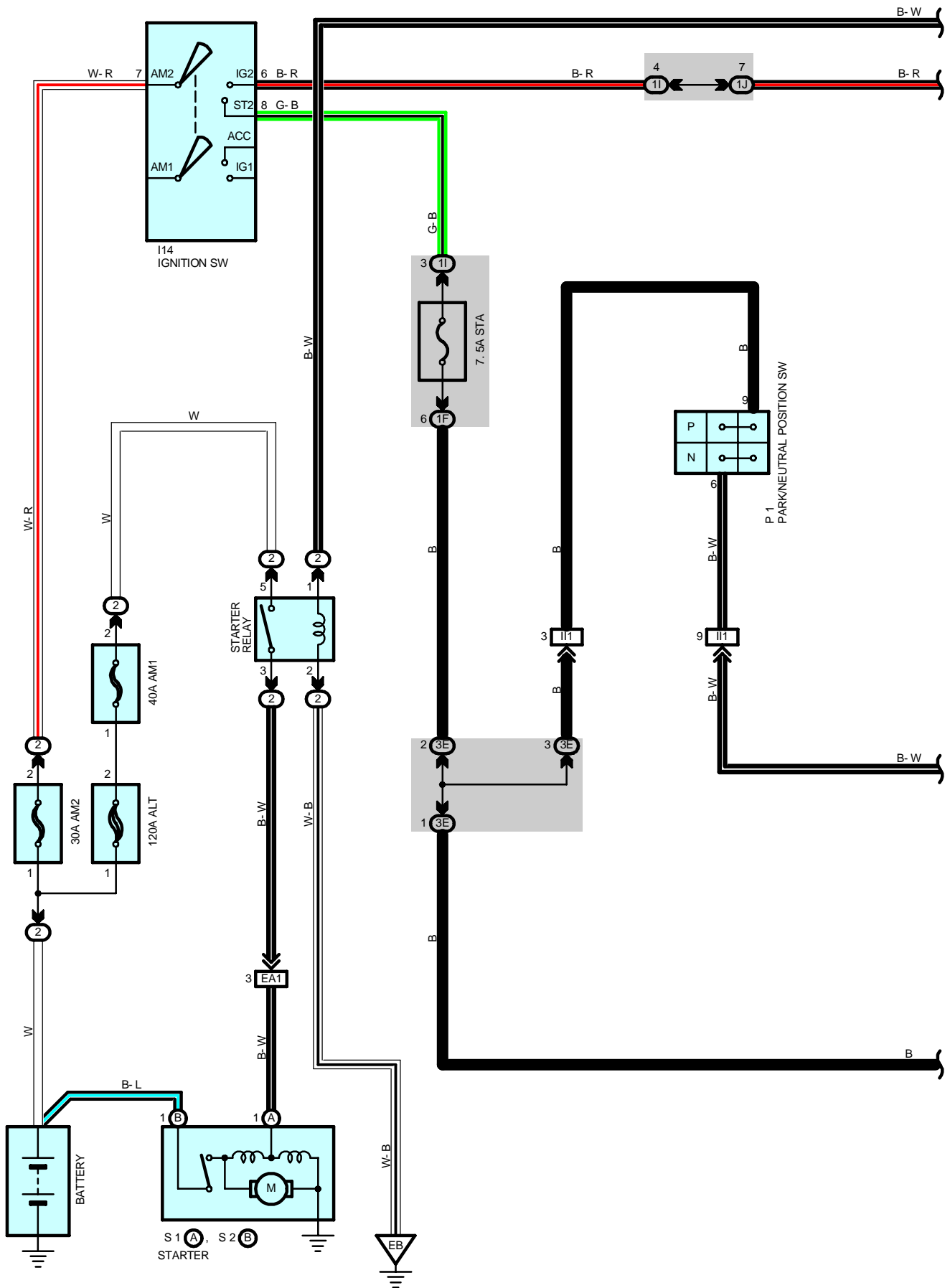
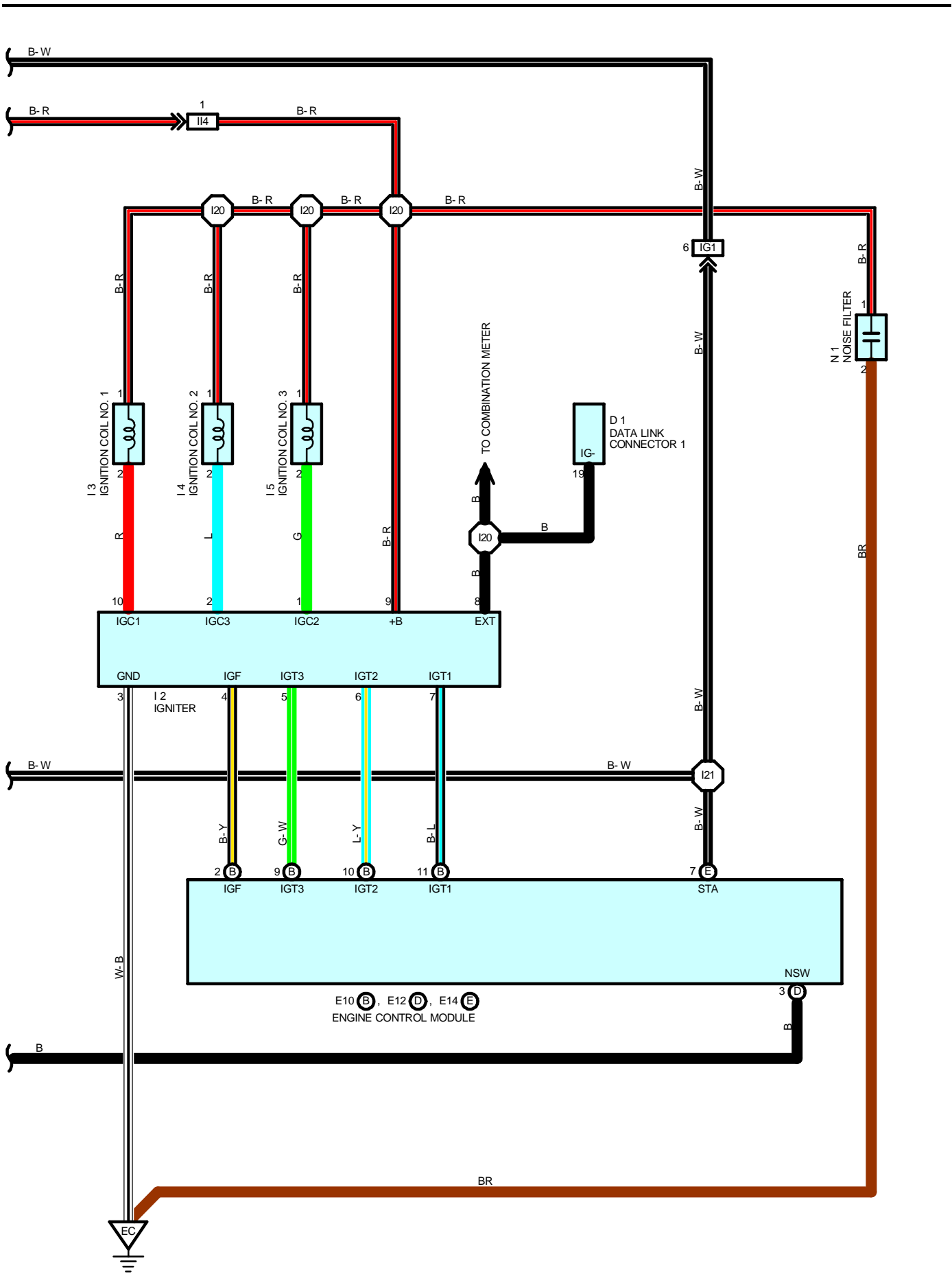


# STARTING AND IGNITION





# STARTING AND IGNITION

## SERVICE HINTS

### S1 (A), S2 (B) STARTER

Points closed with Park/Neutral position SW at **P** or **N** position and ignition SW at **ST** position

### I14 IGNITION SW

7-6 : Closed with ignition SW at **ON** or **ST** position

7-8 : Closed with ignition SW at **ST** position

### P1 PARK/NEUTRAL POSITION SW

9-6 : Closed with A/T shift lever in **P** or **N** position

### STARTER RELAY

3-5 : Closed with Park/Neutral position SW at **P** or **N** position and ignition SW at **ST** position

## ○ : PARTS LOCATION

Code	See Page	Code	See Page	Code	See Page
D1	28	I3	29	P1	29
E10	B 31	I4	29	S1	A 29
E12	D 31	I5	29	S2	B 29
E14	E 31	I14	31		
I2	29	N1	29		

## ○ : RELAY BLOCKS

Code	See Page	Relay Blocks (Relay Block Location)
2	22	Engine Room R/B (Engine Compartment Left)

## ○ : JUNCTION BLOCK AND WIRE HARNESS CONNECTOR

Code	See Page	Junction Block and Wire Harness (Connector Location)
1F	24	Cowl Wire and Driver Side J/B (Lower Finish Panel)
1I	24	Engine Room Main Wire and Driver Side J/B (Lower Finish Panel)
1J	24	Cowl Wire and Driver Side J/B (Lower Finish Panel)
3E	26	Cowl Wire and Center J/B (Near the Steering Column Tube)

## □ : CONNECTOR JOINING WIRE HARNESS AND WIRE HARNESS

Code	See Page	Joining Wire Harness and Wire Harness (Connector Location)
EA1	36	Engine No.2 Wire and Engine Room Main Wire (Near the Engine Room R/B)
IG1	38	Engine Room Main Wire and Cowl Wire (Left Kick Panel)
II1	40	Engine Wire and Cowl Wire (On the Glove Box)
II4		

## ▽ : GROUND POINTS

Code	See Page	Ground Points Location
EB	36	Front Left Fender
EC	36	Intake Manifold Left

## ○ : SPLICE POINTS

Code	See Page	Wire Harness with Splice Points	Code	See Page	Wire Harness with Splice Points
I20	40	Engine Wire	I21	40	Cowl Wire

